

AIM-58

10.1" Medical-Grade Tablet with Intel® Atom™ Processor and PCAP Touchscreen



Features

- Intel® Atom™ processor with support for both Windows and Android OS
- 10.1" full HD projected capacitive touchscreen with scratch-resistant Corning® Gorilla® Glass
- Supports active stylus pen, gloved operation, and palm detection for increased usability
- IP65-rated protection from water and dust ingress
- 4-ft drop tolerance
- Hot-swappable battery with capacity indicators for uninterrupted operation
- AIM extension 14-pin pogo connector supports 1D/2D barcode scanner (20°/70°) and LAN COM extension modules
- AIM dock 16-pin pogo connector supports optional peripherals (VESA dock and stand, multi-tablet charging station, and multi-battery charging station)



Introduction

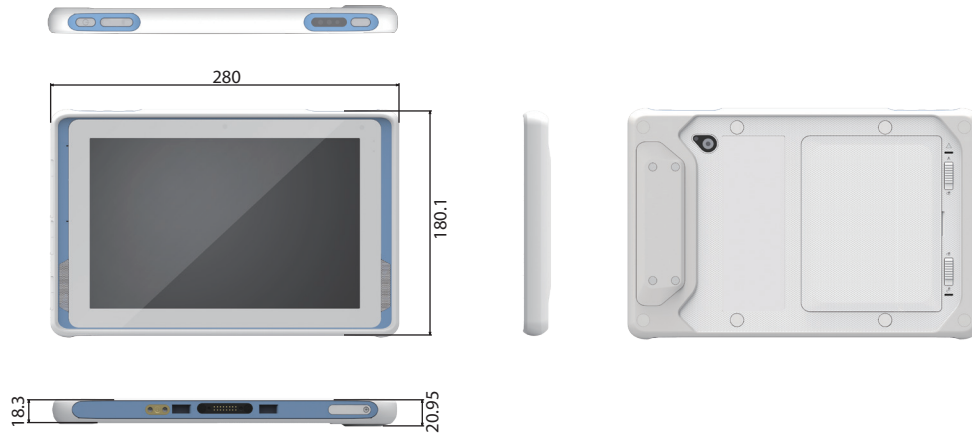
AIM-58 is a 10.1" medical-grade tablet that features a full HD screen with projected capacitive touch control, IP65-rated ingress protection, and Windows/Android operating system. Aimed at healthcare applications, AIM-58 can be equipped with optional extension modules and peripherals that enable seamless communication and unlimited mobility for diverse usage scenarios. The built-in high-resolution cameras and wireless communication technologies allow AIM-58 to be used to retrieve patient records and to facilitate telehealth applications. Moreover, the tablet can be integrated with a range of optional docking cradles and stands for flexible operation in various healthcare environments.

Specifications

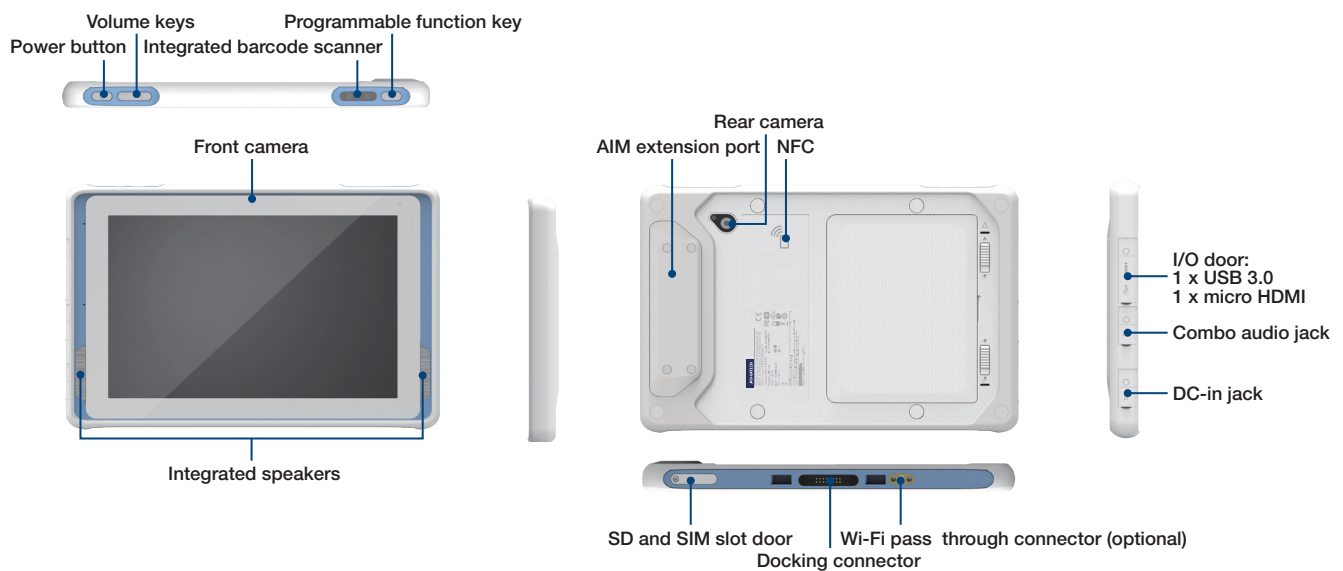
System	Processor	Intel® Atom™ x7-Z8750 quad-core, 1.6 GHz (2M cache, up to 2.56 GHz)
	Memory	4 GB LPDDR3
	OS	Windows 10 IoT Enterprise, Android 6.0
Storage	eMMC	64 GB
	Micro-SD	Up to 256 GB
Display	Type	10.1" FHD LCD
	Resolution	WUXGA 1920 x 1200
	Brightness	380 cd/m ²
	Touch Type	10-point, multi-touch projected capacitive
	Glass Type	Corning® Gorilla® Glass 3
Communication	WLAN	IEEE 802.11 a/b/g/n/ac
	Bluetooth	Bluetooth® v4.1
	NFC	13.56 MHz, compatible with ISO15693, ISO14443A, ISO 14443B, FeliCa
Connectivity	Standard I/O	1 x micro HDMI, 1 x micro USB 2.0 (host and charger), 1 x combo audio jack, 1 x SIM card slot, 1 x micro SD slot
	Extended I/O	1 x AIM extension 14-pin pogo connector: 1 x USB 2.0, 1 x 2-wire UART, 5V/1A power
	Docking	1 x AIM dock 16-pin pogo connector: 1 x USB 3.0, 9V power
Audio	Speaker	2 x Internal speakers (2 W)
	Audio Jack	1 x Audio combo jack (combines stereo audio output and mono microphone input)
Camera	Front	2.0-megapixel fixed-focus camera
	Rear	5.0-megapixel auto-focus camera with LED flash
Sensors		Ambient light sensor, e-compass, g-sensor, gyroscope
Control Buttons		1 x Power button, 2 x volume keys (up/down), 1 x programmable function key
Battery Capacity Indicators		Green: full (100%); blue: charging; red: low (≤10%)
Power	Input Voltage	DC jack: 19V/3.42A Docking pogo: 12V/2A
	Battery	10.8V, 2400 mAh, 26 WHr; swappable Operating time: Up to 5.5 hours (dependent on usage scenario) Charging time: 3 hours
Environment	Operating Temperature	0 ~ 30 °C/32 ~ 86 °F
	Storage Temperature	-20 ~ 60 °C/-4 ~ 140 °F
	IP Rating	IP65
	Shock	Operating: SAE J1455 compliant; non-operating: IEC 60721-3-5 5M3 compliant
	Vibration	SAE J1455
	Humidity	Operating: 10 ~ 90% @ 30 °C non-condensing Storage: -10 ~ 95% non-condensing
	Drop Tested	Up to 120 cm/4 ft onto plywood over concrete
Physical Characteristics	Dimensions (W x D x H)	280 x 18.3 x 180.1 mm/11 x 0.7 x 7.1 in
	Weight	980 g/2.2 lb
	Color	White/blue
Certifications		CE/FCC Class B, UL60601-1, EN60601-1, TELEC, NCC, SRRC

Dimensions

Unit: mm



System Layout



Ordering Information

Part Number	Description	Memory	Storage	LCD	Barcode	NFC	Wi-Fi/BT	LTE+GPS	F-Camera	R-Camera	OS
AIM-58CT-12101000	10I/4G/64G/WIN10/AC/G	4 GB	64 GB	380 nits	X	V	V	X	2M	5M	Win 10 IoT Enterprise
AIM-58CT-13101000	10I/4G/64G/A6.0/AC/G/	4 GB	64 GB	380 nits	X	V	V	X	2M	5M	Android 6.0

Optional Accessories

Part Number	Description
96PSA-A65W19V1-M1	Adaptor A/D 100 ~ 240V, 120W, 19V, C6 DC jack (for medical devices)
1700029083-01	Power cable, UL, 2P, 10A, 125V, 112 cm (US)

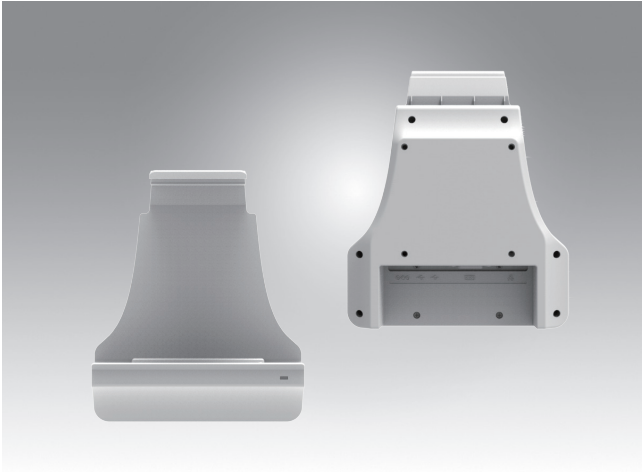
Note: The above power cables are suitable for AIM-55, AIM-VSD, and AIM-MCS.

Packing List

Description
1 x AIM-58
1 x AC adaptor
1 x 2-pin power cable (US)

For sales inquiries or further information, please contact us at Mobile@advantech.com.tw

AIM-58 VESA Docking Station



CE FCC

Features

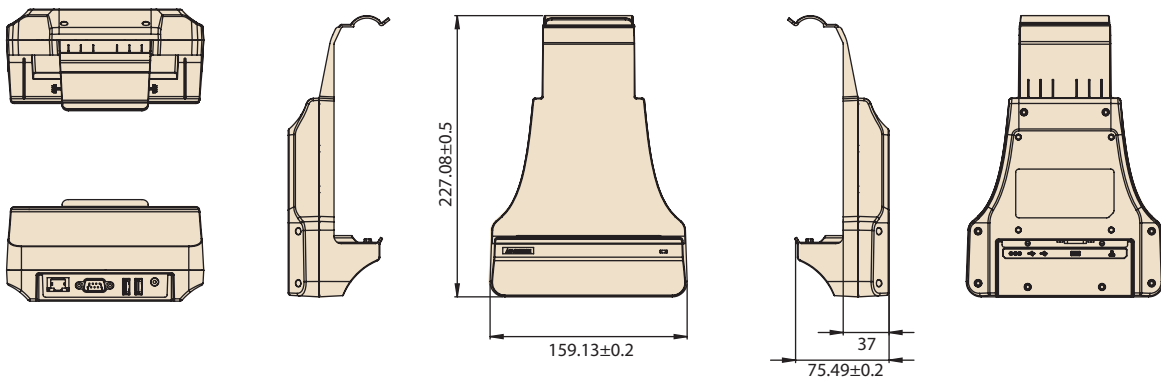
- 9 ~ 32 V input voltage range
- VESA (75 x 75 mm) compliant docking station
- -10 ~ 50 °C/14 ~ 122 °F operating temperature
- Reliable docking connector for office applications

Specifications

		Advanced VESA Docking Station	Basic VESA Docking Station
I/O		2 x USB 3.0/2.0 1 x RS-232 COM 1 x Gigabit LAN 1 x Power jack	2 x USB 2.0 1 x Power jack
Stand		N/A	N/A
Power	Input Voltage	9 ~ 32 V	19 V
Mechanical	Dimensions (W x D x H)	159.13 x 75.49 x 227 mm/6.3 x 2.9 x 8.9 in	159.13 x 75.49 x 227 mm/6.3 x 2.9 x 8.9 in
	Weight	0.33 kg/0.72 lb	0.32 kg/0.71 lb
Environment	Operating Temperature	-10 ~ 50 °C/14 ~ 122 °F; 0 ~ 40 °C/32 ~ 104 °F when charging	-10 ~ 50 °C/14 ~ 122 °F; 0 ~ 40 °C/32 ~ 104 °F when charging
	Storage Temperature	-20 ~ 70 °C/-4 ~ 158 °F	-20 ~ 70 °C/-4 ~ 158 °F
	Safety	UL, CB, LVD, CCC	UL, CB, LVD, CCC
	Certifications	CE, FCC, CCC	CE, FCC, CCC

Dimensions

Unit: mm



Ordering Information

Part Number	Description
AIM-VSD0-1001	AIM 10 advanced VESA docking station (full I/O)
AIM-VSD0-1003	AIM 10 basic VESA docking station (USB and charger only)

Optional Accessories

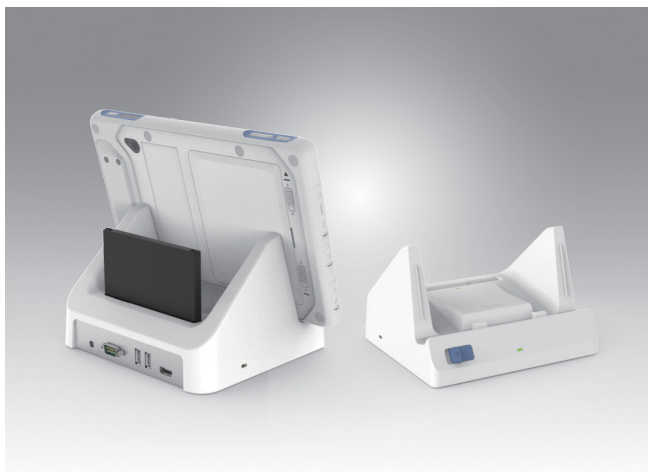
Part Number	Description
96PSA-A65W19V1-M1	Adaptor A/D 100 ~ 240V, 120W, 19V, C6 DC jack (for medical devices)
1700029083-01	Power cable, UL, 2P, 10A, 125V, 112 cm (US)

Packing List

Item	AIM-VSD0-1001	AIM-VSD0-1003
1	1 x VESA dock with full I/O	1 x VESA dock (USB and charger only)

Note: The above products do not include a power cable. Customers must order them separately for the specific country of use.

AIM-58 Desk Docking Station



Features

- 10 ~ 50 °C/14 ~ 122 °F operating temperature
- Reliable docking connector for office applications

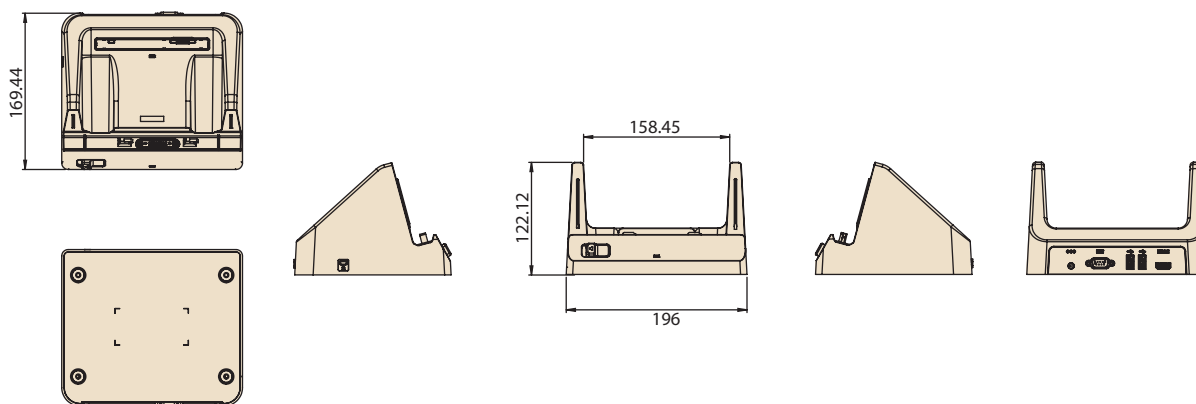
CE FCC CCC

Specifications

		Advanced Desk Docking Station	Basic Desk Docking Station
I/O		2 x USB 2.0 1 x RS-232 COM 1 x Power jack 1 x HDMI 1 x Battery charging bay	2 x USB 2.0 1 x Power jack
	Power	Input Voltage 19 V	19 V
Mechanical	Dimensions (W x D x H)	196 x 169.44 x 122.12 mm/7.72 x 6.67 x 4.81 in	196 x 169.44 x 122.12 mm/7.72 x 6.67 x 4.81 in
	Weight	0.76 kg/1.68 lb	0.75 kg/1.65 lb
Environment	Operating Temperature	-10 ~ 50 °C/14 ~ 122 °F; 0 ~ 40 °C/32 ~ 104 °F when charging	-10 ~ 50 °C/14 ~ 122 °F; 0 ~ 40 °C/32 ~ 104 °F when charging
	Storage Temperature	-20 ~ 70 °C/-4 ~ 158 °F	-20 ~ 70 °C/-4 ~ 158 °F
	Safety	CE, FCC, CCC	UL, CB, LVD, CCC
	Certifications	UL, CB, LVD, CCC	CE, FCC, CCC

Dimensions

Unit: mm



Ordering Information

Part Number	Description
AIM-OFD0-0001	AIM 10 advanced desk docking station (full I/O)
AIM-OFD0-0003	AIM 10 basic desk docking station (USB and charger only)

Optional Accessories

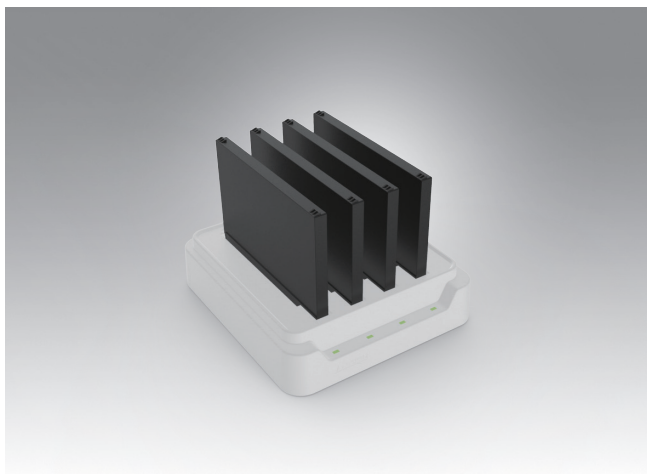
Part Number	Description
96PSA-A65W19V1-M1	Adaptor A/D 100 ~ 240V, 120W, 19V, C6 DC jack (for medical devices)
1700029083-01	Power cable, UL, 2P, 10A, 125V, 112 cm (US)

Packing List

Item	AIM-OFD0-0001	AIM-OFD0-0003
1	1 x Desk dock with full I/O	1 x Desk dock (USB and charger only)

Note: The above products do not include a power cable. Customers must order them separately for the specific country of use.

AIM Multi-Battery Charging Station



Features

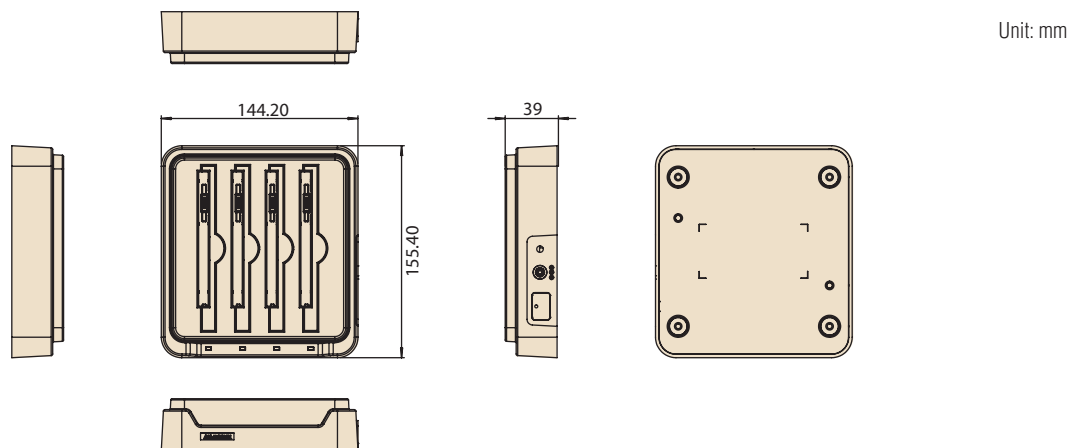
- Supports charging of up to 4 batteries simultaneously
- Overcurrent and overvoltage protection provided
- LED indicators for monitoring charging status



Specifications

		Multi-Battery Charging Station for AIM
Capacity	Number of Bays	4
	Charging Current	1 A
Power	Charging Voltage	12.6 V
	Input Voltage	19 V
LED Indicators		Green: full Amber: charging Red: error
Mechanical	Dimensions (W x D x H)	144 x 155 x 39 mm/5.66 x 6.1 x 1.53 in
	Weight	0.48 kg/1.05 lb
Environment	Operating Temperature	0 ~ 40 °C/32 ~ 104 °F
	Storage Temperature	-10 ~ 50 °C/14 ~ 122 °F
	Safety	UL, CB, LVD, CCC, RCM
	Certifications	CE, FCC, CCC, RCM, BSMI

Dimensions



Ordering Information

Part Number	Description
AIM-MBCS-0001	Multi-battery charging station for AIM

Packing List

Item	AIM-MBCS-0001
1	1 x Multi-battery charging station
2	1 x AC/DC adaptor

Note: The above products do not include a power cable. Customers must order them separately for the specific country of use.

Optional Accessories

Part Number	Description
96PSA-A65W19V1-3	Adaptor A/D 100 ~ 240V, 65W, 19V, C6 DC plug 180° 62368
1700001524	Power cable, UL, 3P, 10A, 125V, 180 cm (US)
1700008921	Power cable, PSE, 3P, 7A, 125V, 183 cm (Japan)
1700019146	Power cable, CCC, 3P, 10A, 125V, 183 cm (China)
1700018553	Power cable, SAA, 3P, 2.5A, 250V, 183 cm (Australia/NZ)
170203180A	Power cable, BSI, 3P, 2.5A, 250V, 183 cm (UK)
170203183C	Power cable, CE, 3P, 10A, 250V, 183 cm (EU)

AIM-58 Peripherals and Accessories

Extension Modules

Barcode scanner (20°)



Barcode scanner (70°)



LAN + COM module



Part Number	AIM-BCRS-0020	AIM-BCRS-0070	AIM-LANC-0001
Features	<ul style="list-style-type: none"> Sensor: 640 x 480 CMOS sensor Illumination/Aimer: white LED illumination/red LED dot aimer Frame rate: 30 fps Field of view: horizontal: 37.8°; vertical: 28.8° 	<ul style="list-style-type: none"> Sensor: 640 x 480 CMOS sensor Illumination/Aimer: white LED illumination/red LED dot aimer Frame rate: 30 fps Field of view: horizontal: 37.8°; vertical: 28.8° 	<ul style="list-style-type: none"> 1 x 10/100 Ethernet port 1 x COM port
Dimensions	130.2 x 38.7 x 27.8 mm/5.12 x 1.52 x 1.09 in	130.2 x 38.7 x 32 mm/5.12 x 1.52 x 1.25 in	130.2 x 70 x 29 mm/5.12 x 2.75 x 1.14 in
Weight	0.042 kg/0.092 lb	0.042 kg/0.092 lb	0.078 kg/0.171 lb

Accessories

Hand strap



Stylus holder

Shoulder strap (portrait)



Shoulder strap (landscape)



Battery with meter



Part Number	AIM-SRP0-0000	AIM-SRP0-0001	AIM-SRP0-0002	AIM-BAT0-0452
Features	1 x Black strap 1 x Stylus holder	1 x Black strap 1 x Stylus holder	1 x Black strap 1 x Stylus holder	1 x Black battery with meter
Dimensions	240 x 20 mm/ 9.44 x 0.78 in	380 x 135 x 20 mm/ 14.96 x 5.31 x 0.78 in	1820 x 20 mm/ 71.65 x 0.78 in	120 x 87 x 7.5 mm/ 4.72 x 3.43 x 0.30 in
Weight	0.022 kg/0.048 lb	0.05 kg/0.11 lb	0.05 kg/0.11 lb	0.147 kg/0.324 lb

Active stylus



Part Number	AIM-P704
Features	1 x Black stylus pen
Dimensions	140 x 9.7 mm/5.51 x 0.38 in
Weight	0.02 kg/0.044 lb